

Fig. 1.15: Mid Type: 1/8, 1/4, 1/2, 1, 2, and 3 Hp

Type	115V, 220V, 230V Single Phase 1/8 Hp	115V, 220V, 230V Single Phase 1/4, 1/2 Hp	208/230V Three Phase 1/8, 1/4, 1/2 and 1, 2, 3 Hp
DC Switching Fast Response			
AC Switching (1) Normal Response			
AC Switching (2) Normal Response			

M: Motor Br: Brake S: Reversing switch C: Capacitor MS: Magnetic switch Z: R-C circuit (OP-CRM-2)

Fig. 1.16A Rectifier

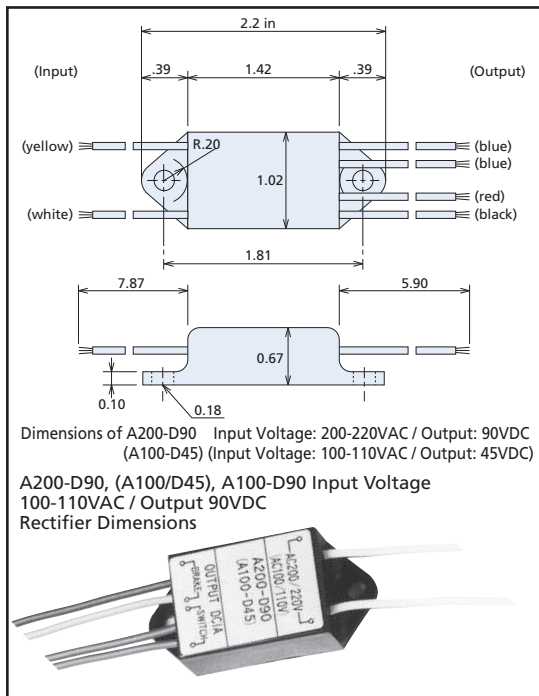


Fig. 1.16B Snubber

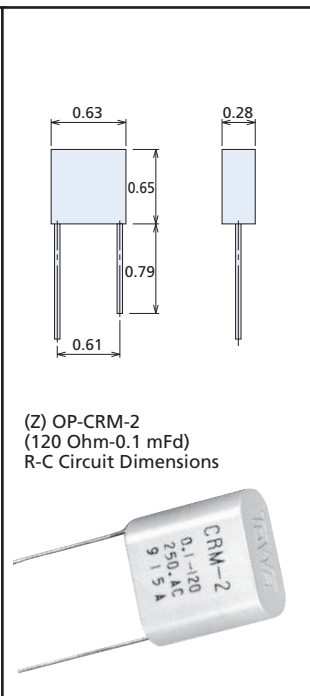
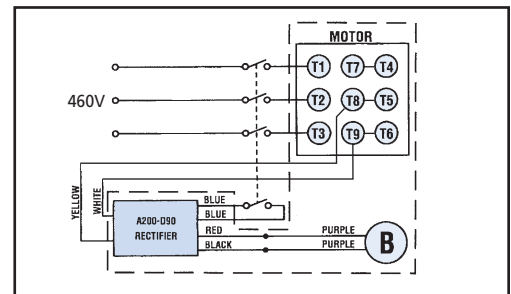


Fig. 1.17: 1/8 - 3 Hp 460V Wiring



* For Wiring with a VFD (Invertor) see page 17.